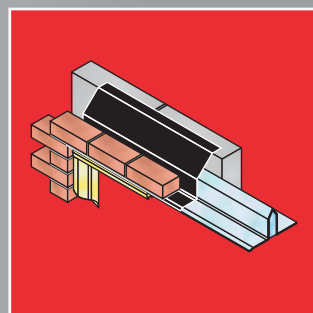
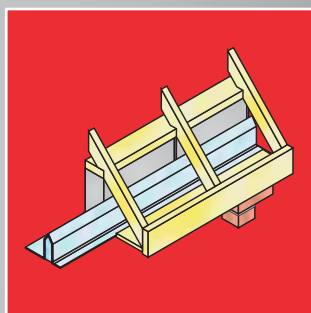
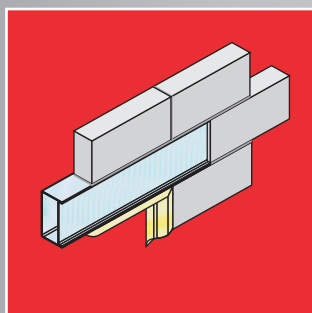
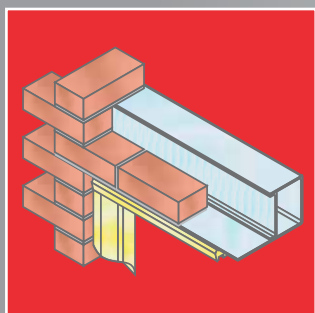




# STEEL LINTELS

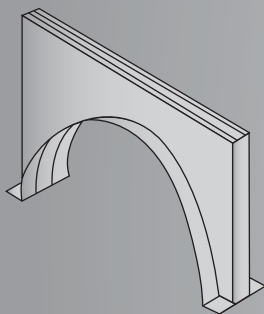




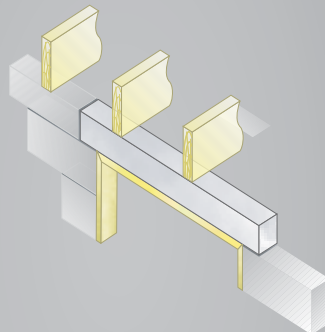
### CAVITY WALL LINTELS – STANDARD AND HEAVY DUTY

		50mm CAVITY		70mm CAVITY		100mm CAVITY							
WALL THICKNESS		250-290	265-305	270-310	285-325	300-340	325-355						
OUTER LEAF		100	100	100	100	100	100						
CAVITY		50-65	50-65	70-85	70-85	100-115	100-115						
INNER LEAF		100-125	125-140	100-125	125-140	100-125	125-140						
LOADING		STD	HD	STD	HD	STD	HD	STD	HD	STD	HD	STD	HD
LINTEL CODE		ST50	ST50 HD	ST50 WIL	ST50 WIL-HD	ST70	ST70 HD	ST70 WIL	ST70 WIL-HD	ST100	ST100 HD	ST100 WIL	ST100 WIL-HD
Length(mm)													
750		36.97	43.89	41.94	58.37	36.49	43.84	37.61	56.39	39.44	52.77	61.35	65.85
900		42.56	49.24	50.50	69.28	44.01	49.12	45.47	67.65	46.72	63.48	73.12	76.09
1050		51.40	57.29	58.37	79.05	51.04	57.84	54.57	86.96	55.20	73.97	85.18	85.96
1200		57.67	66.20	66.98	92.45	57.53	66.20	61.84	89.13	61.30	81.79	87.79	98.86
1350		68.68	79.66	74.21	111.84	68.03	81.36	72.74	116.22	71.77	93.69	108.11	112.46
1500		75.46	87.24	83.91	125.25	75.71	87.72	78.81	122.08	76.10	103.64	117.06	124.03
1650		86.68	105.36	96.09	147.13	86.10	115.26	90.94	144.47	86.04	121.09	145.55	151.06
1800		93.30	115.19	105.77	162.96	93.30	122.52	96.99	160.78	93.75	131.93	157.13	175.45
1950		102.59	128.59	113.05	188.54	104.62	136.23	127.30	199.88	110.93	143.80	178.61	188.48
2100		108.04	136.06	124.03	204.91	109.37	141.27	136.41	205.87	113.47	154.00	191.81	199.46
2250		123.79	170.07	141.07	223.10	123.07	173.89	142.46	224.54	137.50	185.05	205.09	255.41
2400		130.57	200.13	151.99	238.85	130.83	199.47	151.56	243.42	145.21	206.45	219.95	291.86
2550		147.13	216.93	160.54	267.65	150.09	219.60	181.88	298.31	161.45	233.24	251.34	306.44
2700		156.93	229.30	171.44	286.75	159.19	230.89	196.96	315.90	169.95	247.03	267.89	316.15
2850		200.54	242.34	231.04	333.42	198.61	245.74	216.43	333.42	204.84	265.99	352.65	503.71
3000		213.74	256.10	244.44	351.08	213.43	256.60	236.73	351.08	212.43	280.78	377.02	559.43
3300		246.72	351.96	268.75	386.10	246.97	361.79	273.59	386.10	242.88	389.15	425.62	644.47
3600		282.46	405.11	294.03	421.45	268.90	395.75	326.76	421.45	276.33	424.96	462.12	707.12
3900		344.40		458.42	468.13	334.96	441.93	371.00	468.13	343.51	457.21	559.37	
4200		381.93		491.28		418.31		508.63		381.94		598.29	
4500		433.45		544.95		436.48		544.95		427.25		640.84	
4800		472.86		581.32		474.49		581.32		546.84		686.61	

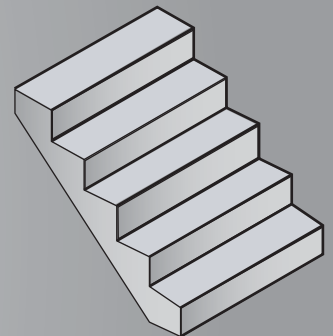
KEY STD = Standard HD = Heavy Duty XHD = Extra Heavy Duty E = Eaves T = Inverted TR = Tray TF = Timber Frame CH = Channel



SPECIAL STEEL LINTELS



CONCRETE LINTELS



PRECAST SECTIONS



LINTEL LENGTH (MM)	CAVITY			EAVES		BOXES						TEE	CH	TRAYS		LINTEL LENGTH (MM)
	ST50 ST70 ST100 kN	ST50 HD ST70 HD ST100HD kN	ST50 XHD ST70 XHD ST100XHD kN	ST100 BOX kN	ST100 BOXHD kN	ST100 BOX kN	ST100 BOXHD kN	ST150 BOX kN	ST150 BOXHD kN	ST200 BOX kN	ST200 BOXHD kN	ST200T kN	ST200 CH kN	ST100 TR kN	ST100 TF kN	
900	9.70	10.97	27.90	8.82	45.00	20.16	45.00	45.00	45.00	14.85	32.53	8.10	18.00	3.15	3.15	900
1050	12.79	21.14	32.50	10.29	45.00	23.52	45.00	45.00	45.00	17.82	37.95	9.50	21.00	3.70	3.70	1050
1200	14.63	23.01	37.20	11.76	45.00	26.83	45.00	45.00	45.00	20.79	43.37	10.80	24.00	4.20	4.20	1200
1350	20.13	33.52	41.80	13.23	42.73	23.47	56.20	42.73	56.20	23.76	48.79	14.90	27.00	4.70	4.70	1350
1500	17.90	36.36	46.50	14.70	37.99	21.00	62.46	37.99	62.46	26.73	54.21	14.80	29.00	5.30	5.30	1500
1650	23.84	37.78	51.20	16.17	34.19	20.00	68.71	34.19	68.71	29.70	59.64	13.30	26.00	5.80	5.80	1650
1800	21.67	34.87	46.20	17.64	40.90	20.00	74.95	31.08	74.95	27.00	65.06	12.10	23.60	6.30	8.10	1800
1950	24.89	40.00	82.40	22.20	40.34	28.49	68.71	28.49	68.71	24.75	70.48	11.10	21.70	6.80	8.80	1950
2100	22.97	37.33	84.40	20.00	37.78	26.30	63.43	26.30	63.43	22.84	75.90	10.20	20.00	6.30	9.50	2100
2250	28.57	55.00	78.50	24.42	35.09	24.42	58.90	24.42	58.90	21.21	70.48	12.10	30.40	10.10	10.10	2250
2400	26.67	51.76	78.30	22.79	32.75	22.79	54.97	22.79	54.97	30.40	65.78	12.10	28.43	10.80	10.80	2400
2550	25.00	48.89	68.80	21.37	30.00	21.37	51.53	21.37	51.53	28.50	61.67	10.60	26.60	11.50	11.50	2550
2700	26.67	46.32	64.60	20.11	28.00	20.11	48.50	20.11	48.50	26.82	58.00	9.40	25.00	12.20	16.20	2700
2850	31.11	37.49	61.00		27.00	45.81		45.81		54.81		29.36		11.40	17.10	2850
3000	29.47	35.71	57.80		25.00	43.40		43.40		51.93		27.30		17.10	17.10	3000
3150	28.00	34.08	55.00			41.23		41.23		49.33		25.60		15.80	15.80	3150
3300	26.67	32.60	52.40			39.26		39.26		46.98		24.10		15.20	15.20	3300
3450	29.92	31.24	50.00			37.48		37.48		44.85				14.70	14.70	3450
3600	28.61	29.99	47.81			35.85		35.85		42.90				14.00	14.00	3600
3750	27.42		45.80			34.36		34.36		41.11				13.50	13.50	3750
3900	26.33		44.00			32.98		32.98		39.47				12.90	12.90	3900
4200	27.77					30.54		30.54		36.54						4200
4500	25.86					28.43		28.43		34.02						4500
4800	24.19					26.60		26.60		31.83						4800

## TECHNICAL

### INSTALLATION

Lintels should be installed with a minimum end bearing of 150mm and should be levelled and fully bedded on brick laying mortar. The inner and outer leaves supported by the lintel must be raised together to avoid excessive eccentricity of load. Masonry may overhang the supporting lintel by a maximum of 25mm.

The end of the lintel should stop at least 50mm clear of the cavity side of a masonry reveal so as to drain water clear of the vertical d.p.c.

Wall ties should be used in accordance with B.S. A flexible damp proof course/membrane in accordance with BS5628

must be installed to all external wall lintels (unless adequately protected by an eaves or overhang), which should extend a minimum of 100mm past the end of each lintel and finish flush with the leading edge of the front tray. Drainage should be provided by a minimum of 2 weepholes at 450mm centres.

The use of lintel d.p.c. stop ends are recommended in areas of extreme exposure. A flexible sealing compound between the window head and the projecting lintel toe is recommended.

Shock loads from concrete floor units or other heavy components should be avoided. For concrete floors we would recommend the use of Extra Heavy Duty (XHD) sections subject to their load capacities.

### LOAD RATIOS

Standard load ratios for cavity walls are:

Outer Leaf : Inner Leaf

1 : 1 - for masonry only

1 : 3 - for masonry and timber floor

1 : 5 - for masonry and concrete floors

F.O.S. 1.6

### FIRE RESISTANCE

When protected by 13mm of lightweight plaster the following Stressline Steel Lintels offer 1 hour fire resistance - Cavity, Eaves and Box sections.

Control of substance hazardous to health regulations 1988 (COSHH). Health and safety product data sheets for steel lintels are freely available upon request.

### MATERIALS SPECIFICATION

Steel

Steel trays and steel lintels are manufactured from 1.6, 2.0 and 3.0mm thick pre-galvanised steel plate grade. B.S.EN 10147 Fe 220 G Z600. Indented or punched holes to receive plaster.

Polystyrene

EPS I50E to B.S.EN 13163

Rivets

Zinc Plated special self pierce or stainless steel blind rivets.

Paint

Water based - M260 Enviroguard.

### B.S.I.

B.S.I. Quality Assurance, Certificate No. FM 01867

Complies with BS EN ISO 9001 : 2000

In keeping with our policy of improving our product we reserve the right to modify or alter our lintel details.  
Information correct at time of print. June 2008